

CONSTRUCTION TIPS | Preparing Logs for Wiring

1. Make Template

Electrical outlets are cut before installing logs. Make a template to the size of the electrical box. Use a router to shape the opening.

2. Drill Hole

Using a large bit, drill hole to required depth needed for electrical box.

3. Clean

Use a chisel to clean and square up the hole.

FIGURE 1

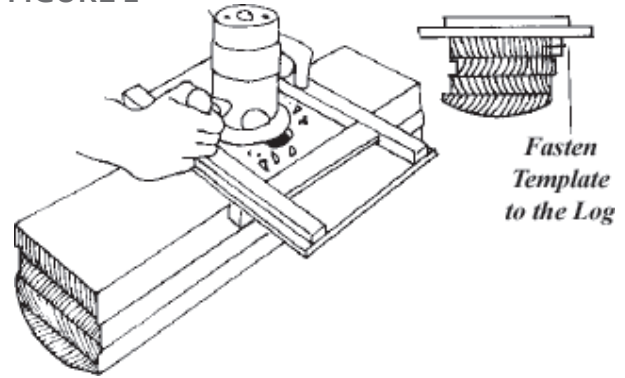


FIGURE 2

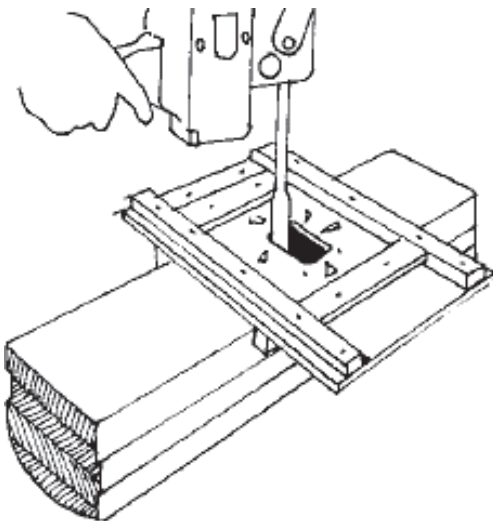
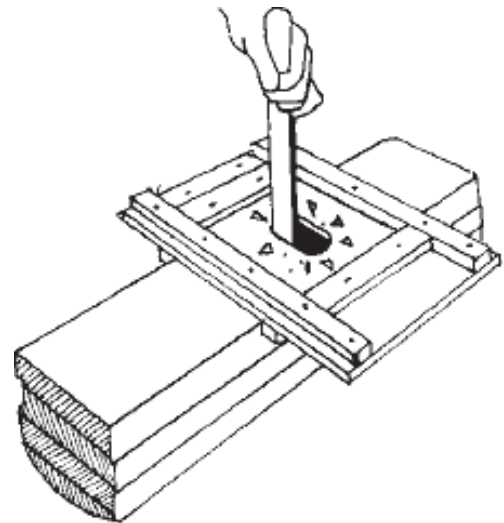


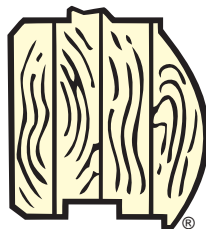
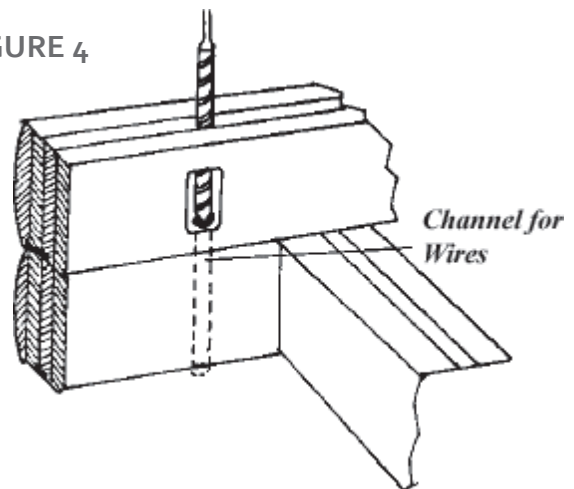
FIGURE 3



4. Install log.

Using a drill bit, drill down through the subfloor.

FIGURE 4



GLU·LAM·LOG, INC.

*Laminated Logs, Traditional Milled Logs
Other Fine Wood Products*